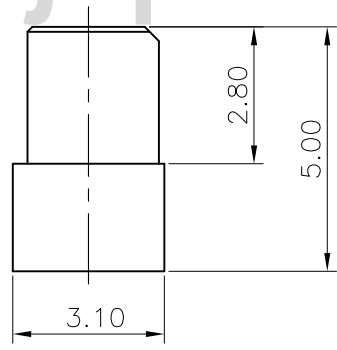
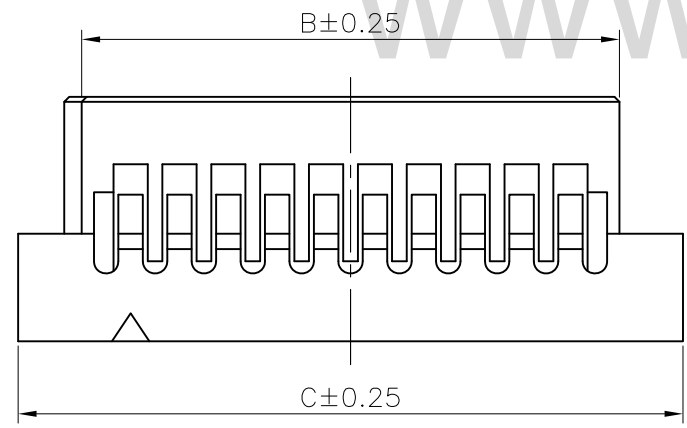


- ◆ SPECIFICATIONS
- Current rating: 1A AC, DC
 - Voltage rating: 50V AC, DC
 - Temperature range: -25°C ~ +85°C
 - Insulation resistance: 100MΩ Min.
 - Withstanding voltage: 500V AC/ minute.
 - Contact resistance: 20mΩ Max.

Material: Nylon 46 UL 94V-0
 Suitable: KR1004 series Terminal

www.krljq.com



A1004O***2*P40
 PIN数 — A: 本色
 9: 白色

PART NO.	Dimensions		
	A	B	C
A1004O2102*P40	9.00	11.00	13.60
A1004O2152*P40	14.00	16.00	18.60
A1004O2202*P40	19.00	21.00	23.60
A1004O2252*P40	24.00	26.00	28.60

④				GENERAL TOLERANCE	UNIT: mm	DATE	TITLE: JST 1.0mm超薄双排 Housing			
③				.X±0.25	X°±1°	DRAWN: 朱佑武				2011.5.24
②				.XX±0.15	.X°±	CHECKED:				
①				.XXX±0.08	.XX°±	APPROVED: 周志龙				2011.5.
LTR	NAME	DATE	VERISION RECORD				VER.	SCALE:	N/A	
1							A	SHEET:	1/1	


东莞市康瑞电子有限公司
 DongGuan A Rui Electronic Co., LTD.

PROJECTION	PART NO.	A1004O***2*P40
DRAWING NO.		1004H201-2-S

